

Tubular Lock

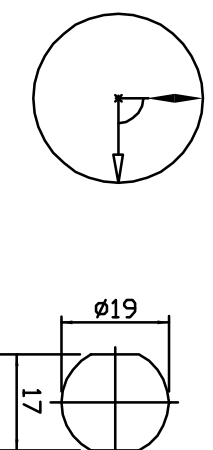
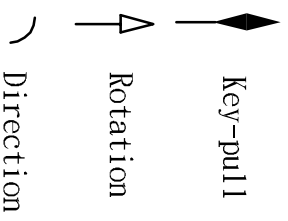
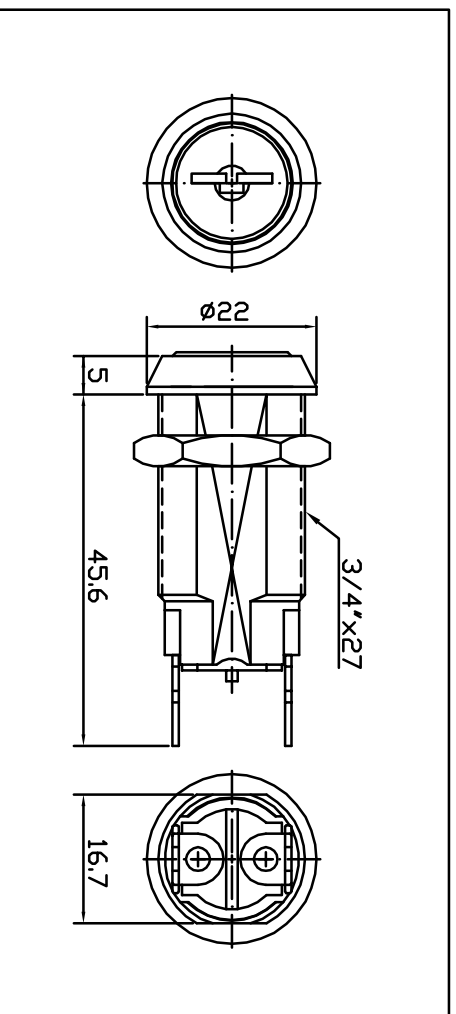


Fig-A Installation Hole

Item No.	Fig.	Key pull	Degree	Finish	Type	Pos.	OFF	ON	Contact position
230210003	A	1	90°	Bright Chrome	Spring return	2	OFF	ON	
230210002	A	1	90°	Bright Chrome	General	2	OFF	ON	