



Cam Locks

18424 HWY 99
Lynnwood WA 98037

Toll Free: 800-654-1786
Fax: 206-350-1186

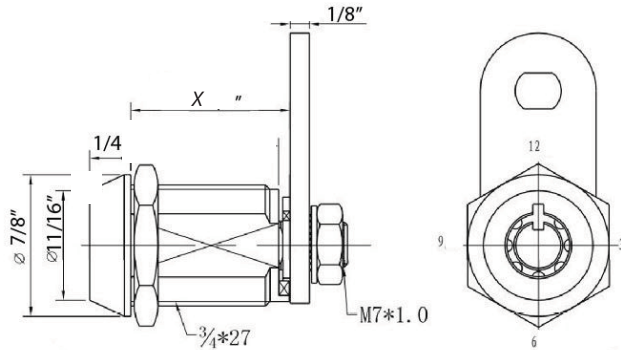
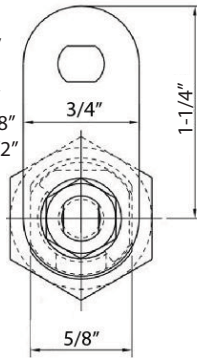
FJM Security Products
www.fjmsecurity.com

2400 Series



7 Pin

X=
2400XS- 3/8"
2400S- 5/8"
2400M- 7/8"
2400L- 1-1/8"
2400XL- 1-1/2"



- Keyed alike or keyed different
- Master key and grand master key custom order
- 7 pin tubular keyway
- Available in 3/8", 5/8", 7/8", 1-1/8" and 1-1/2" lengths
- 2 keys and 1-1/4" straight cam included
- Nonkey retaining standard; key retaining custom order
- Custom key codes available

Straight				Offset		
Sku	Length	Sku	Length	Off		
1 130049	5/8"	11 30597D	2-1/4"	1/4"		
2 130050D	3/4"	12 30596D	2"	1/2"		
3 130009D	1-1/8"	13 30002D	1-5/8"	3/8"		
4 130047D	1-1/4"	14 30026D	1-1/2"	1/4"		
5 130023D	1-1/2"	15 30025D	1-1/2"	1/8"		
6 130058	1-5/8"	16 30027D	1-1/2"	1/2"		
7 130056D	2"	17 30594D	1-1/4"	1/4"		
		18 30593D	1-1/4"	1/8"		
		19 30595D	1-1/4"	1/2"		

2410 Series



7 Pin ABACO
Pick Proof
Special Order

High security ABACO tubular cam lock with a specially designed locking system (ABACO). Perfect for cabinets, drawers, tool boxes, amusement machines, vending machines, etc.

- Available in 5/8", 7/8" and 1-1/8", cylinder lengths
- Comes with two keys and straight 1-1/4" cam
- Pick Proof ABACO 7 pin tubular cam lock
- Variety of straight and offset cams available
- Available keyed alike

X =
2410S- 5/8"
2410M- 7/8"
2410L- 1-1/8"

