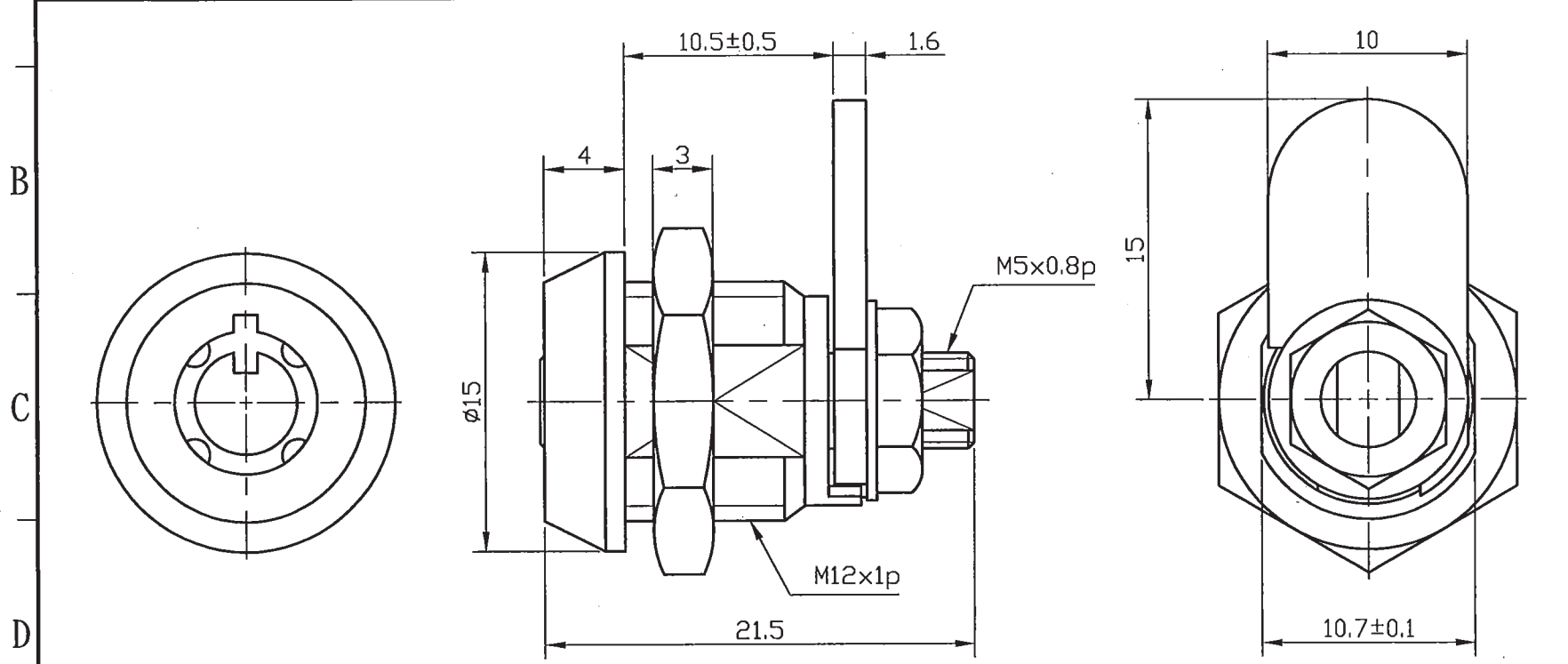


1 2 3 4 5 6 7 8

Rev.	Mark	Old dim.	New dim.
C	①	±90°	90° or -90°
	②	CHROME	Tin-Conalt
Date	2012/03/22	2012/05/11	

REMARK
HOUSING(ZINC)
BARREL(ZINC)



ACCESSORY
WASHER
CAM
M12x1 NUT
M5x0.8 NUT

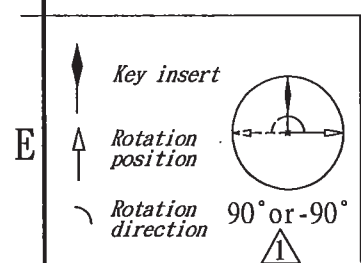
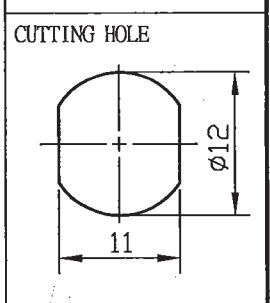
CUT
KEY WAY

CHOOSEN CAM
2200065130004

LOGO
ABA

Q'TY OF COVER
2

Q'TY OF KEY
2



DATE: MAY 15 2012

PS:(1.)M12 Nut Rotation Breakdown Test : Max. 40 Kgf-cm。(Suggest Torque Value : 20 Kgf-cm)
(2.)M5 Nut Rotation Breakdown Test : Max. 7 Kgf-cm。(Suggest Torque Value : 5 Kgf-cm)
(3.)M5 End Of Barrel Shearing Test : Max. 40 Kgf。

業務
准予發圖

OLD VERSION: 200BS1-1

DRAWER Alvin	DATE 2012/05/11	SCALE 3/1	UNIT mm	MATERIAL ZINC ALLOY	TITLE CAM LOCK
APPROVER 劉明達	HEAT TREATMENT	FINISH Tin-Cobalt	DRAWING NO. 10220012009	REV. C	