

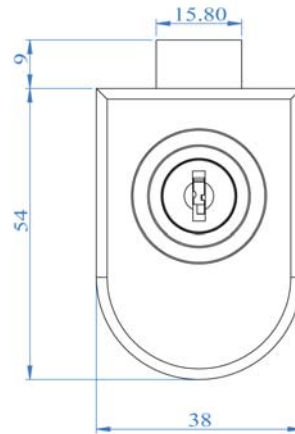
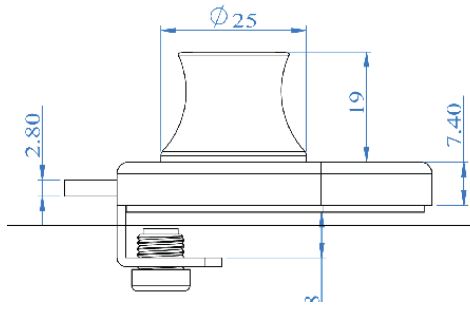


0240 / 0248

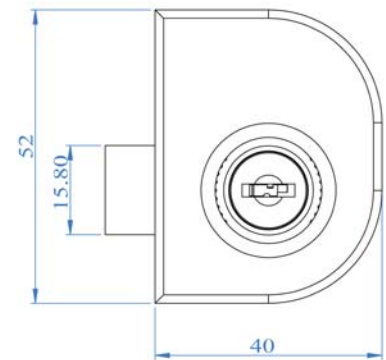
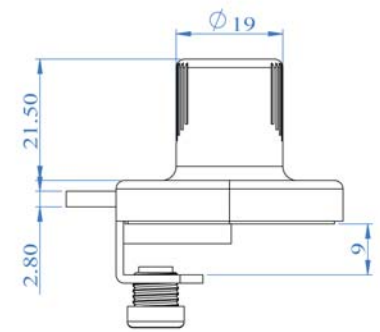


- Single (0240) and double (0248) glass door locks
- Key retaining
- Bolt throw 3/8"
- Cylinder diameter 3/4"
- Reversible keyway
- Zinc alloy housing

0240



0248



3780



- Keyed alike
- High security keyway
- 10K + key codes
- Zinc alloy housing
- Bolt throw 5/8"
- Material thickness up to 1-1/4"
- Key retaining

