



[f](#)
[in](#)
[Live Chat](#)
[You Tube](#)
[www](#)
 Click icons for more

Innovative, Quality Security Solutions

# Thumb Turn Locks

18424 HWY 99  
Lynnwood WA 98037

Toll Free: 800-654-1786  
Fax: 206-350-1186

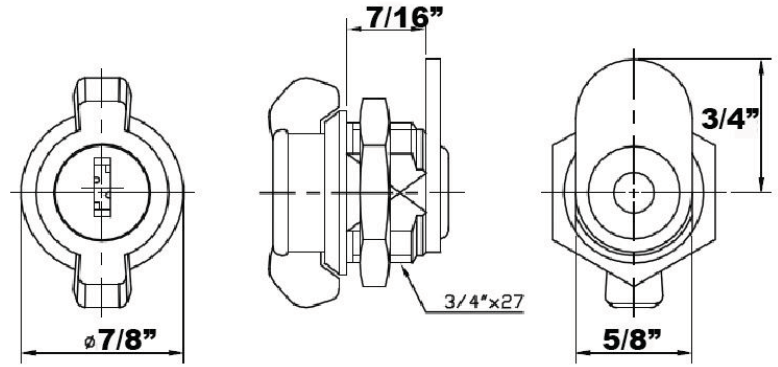
FJM Security Products  
www.fjmsecurity.com

## 3716



- Keyed alike
- Non-key retaining
- Optional cams to the right
- 1-1/4" cam included
- Reversible keyway
- Zinc alloy housing
- Keep unlocked for normal thumb turn

in



Straight		Offset		
Sku	Length	Sku	Length	Off
1 130049	5/8"	11 30597D	2-1/4"	1/4"
2 130050D	3/4"	12 30596D	2"	1/2"
3 130009D	1-1/8"	13 30002D	1-5/8"	3/8"
4 130047D	1-1/4"	14 30026D	1-1/2"	1/4"
5 130023D	1-1/2"	15 30025D	1-1/2"	1/8"
6 130058	1-5/8"	16 30027D	1-1/2"	1/2"
7 130056D	2"	17 30594D	1-1/4"	1/4"
		18 30593D	1-1/4"	1/8"
		19 30595D	1-1/4"	1/2"

Width: 3/4" Thickness 1/8"

.28 X .22 mounting hole

## 0781



- 90 degree turn
- Zinc alloy housing
- Optional cams to the right
- 1-1/4" cam included

