



Push Locks

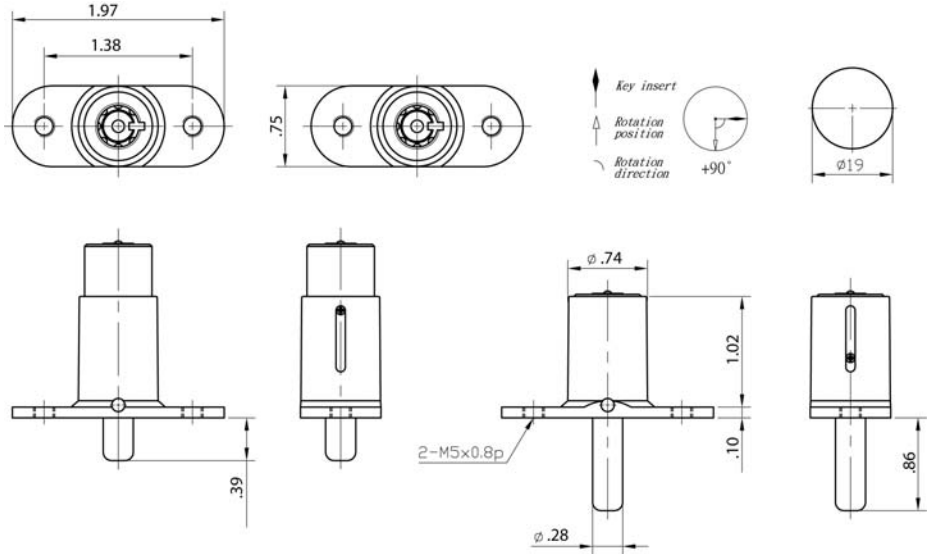
2612L



Long Bolt Throw!



- Keyed alike or keyed different
- Master key and grand master key custom order
- 10K possible key codes
- Bolt throw .86
- 2 keys included
- Zinc alloy housing
- Anti-drilling dimple



This model is popular for us since it has a longer bolt throw than other push locks on the market.

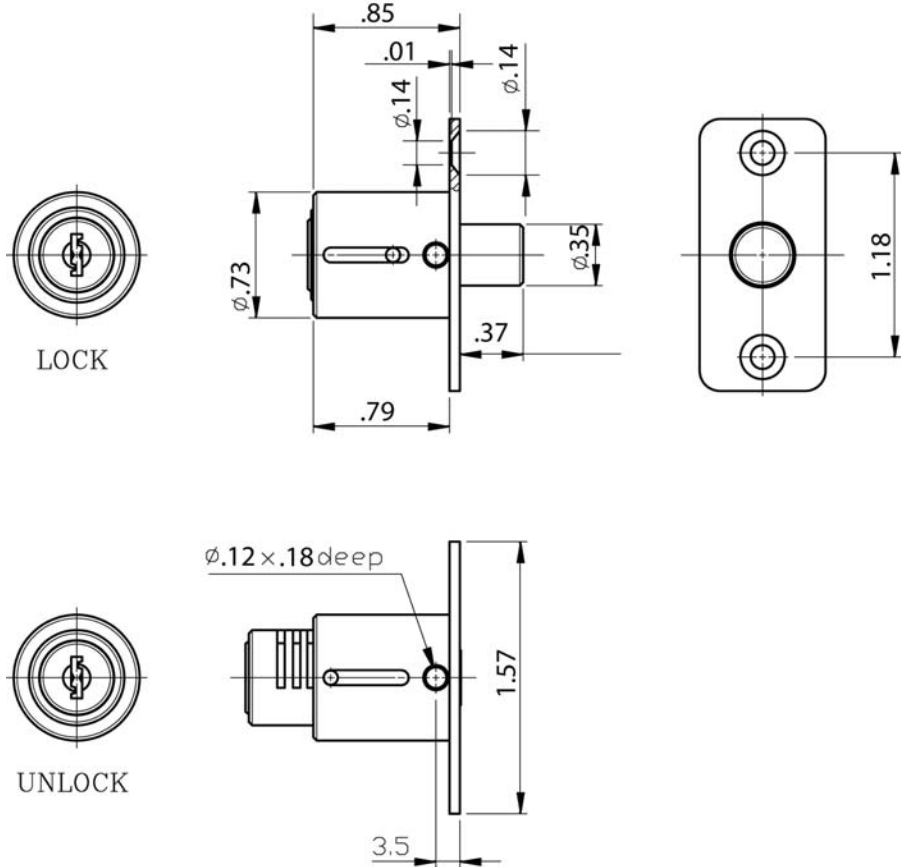
1635



High Security-
Pagoda Patented
Keyway



- Keyed alike or keyed different
- High security Pagoda patented keyway
- Comes with two keys
- 10K plus key codes
- Bolt throw 3/8"
- Zinc alloy body
- Material thickness up to 13/16"



This model is the choice for high security needs