

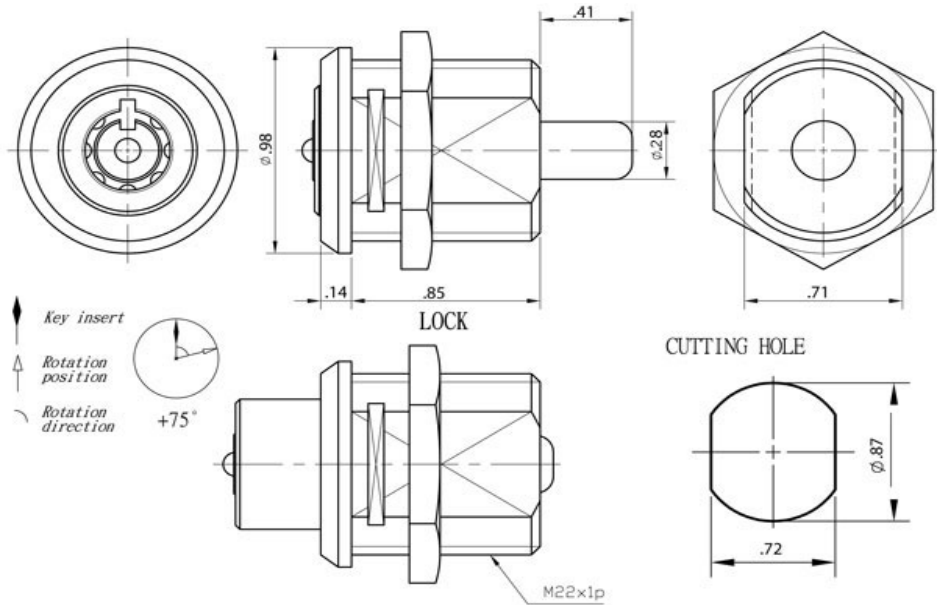
2610



Great for sliding display doors



- Keyed alike or different
- Material thickness up to 13/16"
- Diameter 27/32"
- Bolt throw 3/8"
- 10K plus key codes
- 2 keys included
- Zinc alloy housing
- Anti-drill dimple



Mostly used in metal or sliding doors such as jewelry cases with a nut to secure it on the back side.

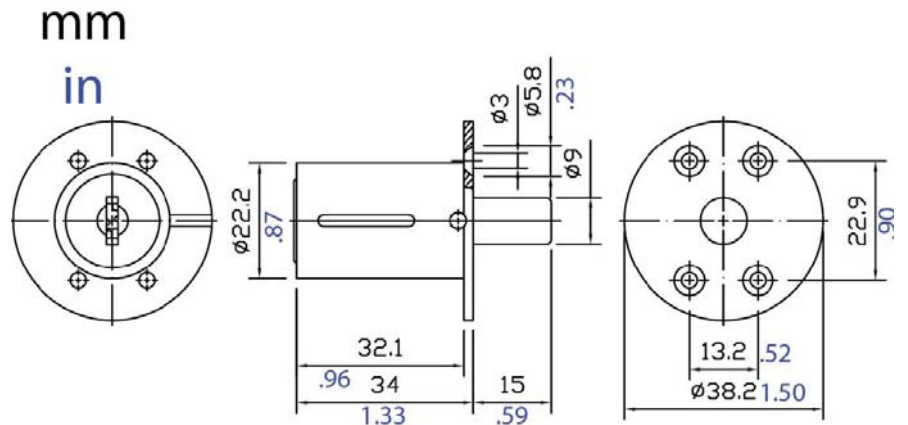
3780



Great for glass



- Keyed alike
- High security keyway
- 10K plus key codes
- Comes with two keys
- Bolt throw 5/8"
- Zinc alloy body
- Material thickness up to 1-1/4"
- Key retaining



Great for glass installations or slim material thickness where an escutcheon is desired.