



Cam Locks

18424 HWY 99
Lynnwood WA 98037

Toll Free: 800-654-1786
Fax: 206-350-1186

FJM Security Products
www.fjmsecurity.com

8X00 Series

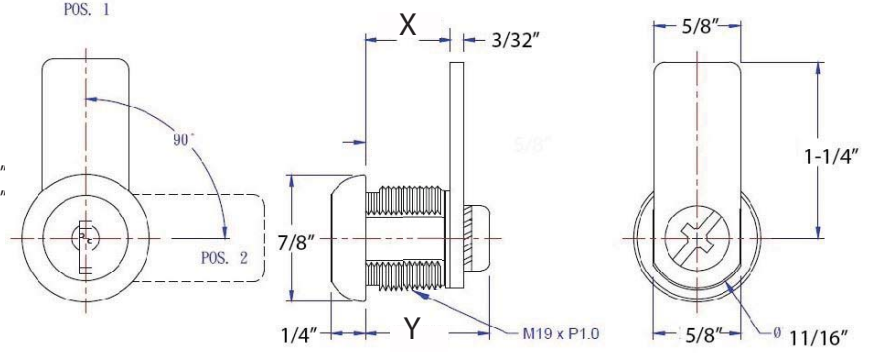


Better Quality
at
Better Price!



X=
8500- 5/8"
8700- 7/8"
8900- 1-1/8"
9100- 1-3/8"

Y=
8500- 7/8"
8700- 1-1/8"
8900- 1-3/8"
9100- 1-5/8"



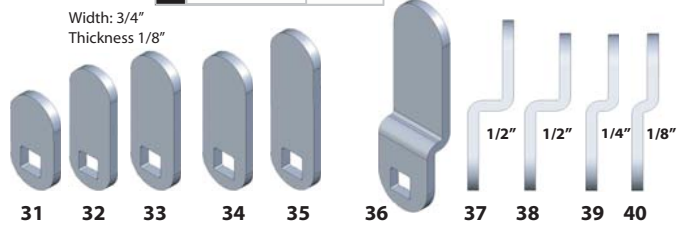
Economy lock- **Compare the superior quality** against our competitors (and a more competitive price!). We can match competing keyways. Black finish is a true black, not a tarnished finish.

- Keyed alike or keyed different
- 2 Keys and 1-1/4" cam included
- Available in 5/8", 7/8", 1-1/8" & 1-3/8" lengths
- Nonkey retaining standard (Key retaining custom order)
- Can match ILCO keyways
- Master key custom order



Straight			Offset		
Sku	Length		Sku	Length	Off
31	ST001	5/8"	37	OF012	1-1/2" 1/2"
32	ST002	7/8"	38	OF011	1-1/4" 1/2"
33	ST004	1-1/4"	39	OF004	1-1/4" 1/4"
34	ST005	1-1/2"	40	OF003	1-1/4" 1/8"
35	ST00X	2"			

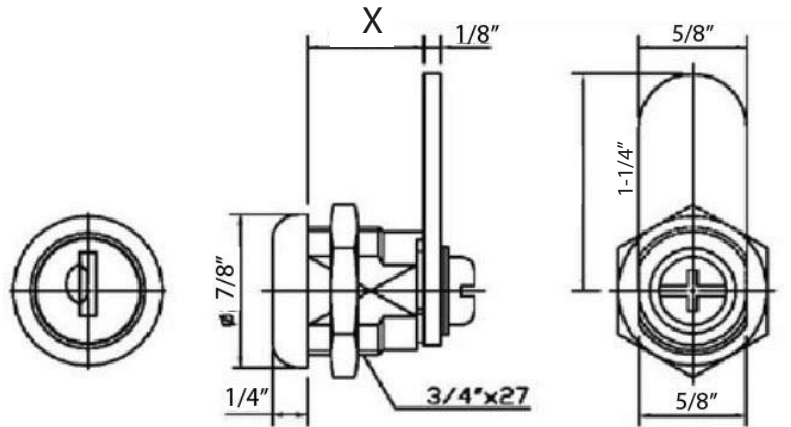
Width: 3/4"
Thickness 1/8"



3499 Series



X =
3499S- 5/8"
3499M- 7/8"
3499L- 1-1/8"



Shutter cam lock- Perfect for outdoor applications with an internal spring loaded dust shutter and internal O-ring.

- Internal spring loaded dust shutter
- Keyed alike or Keyed Different
- 2 Keys included
- 1-1/4" cam included
- Weather resistant, Internal O-ring
- Available in 5/8", 7/8" and 1-1/8"
- Nonkey retaining (Key retaining special order)
- See 200 series optional cams



Straight			Offset		
Sku	Length		Sku	Length	Off
21	2480-30075	1-1/4"	24	2480-30523	2-1/4" 1/4"
22	2480-30077	1-1/2"	25	2480-30542	2" 1/2"
23			26	2480-30505	1-1/2" 1/8"
			27	2480-30515	1-1/4" 1/4"
			28	2480-30503	1-1/4" 1/8"
			29	2480-30502	1-1/8" 1/8"
			30	2480-30513	1" 1/4"

Width: 3/4"
Thickness 1/8"

