

# Barrel Lock / Tubular Cam Lock

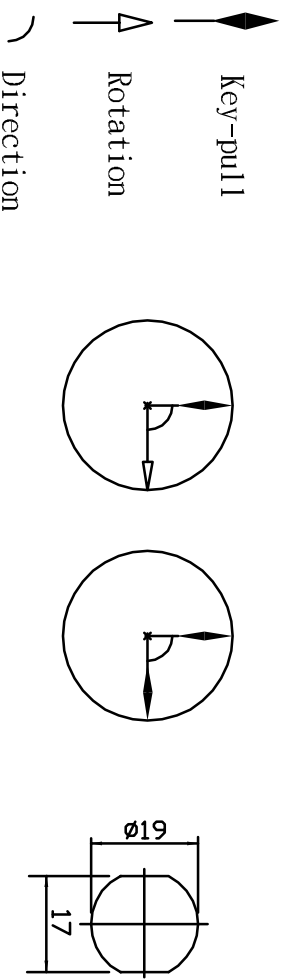
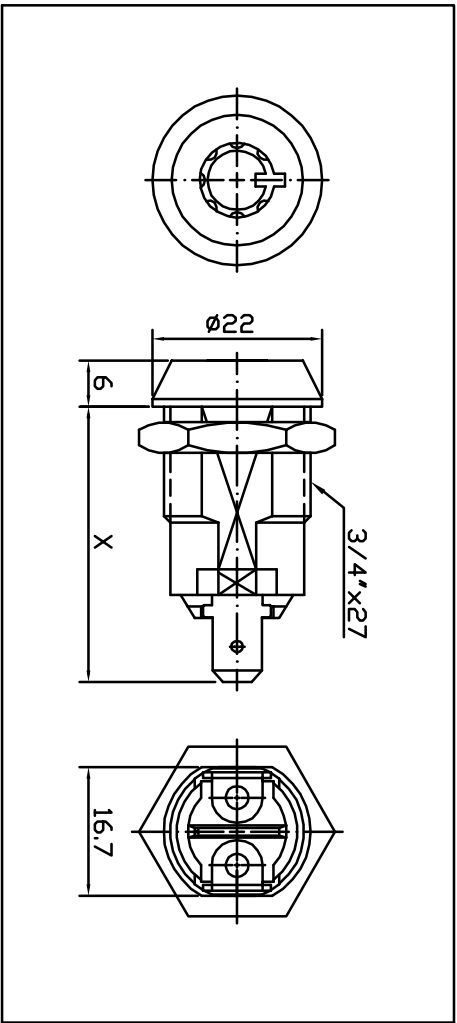


Fig-A

Fig-B

Installation Hole

Item No.	Fig.	Key pull	Degree	Finish	Dimension(X)	Pos.	⊕	⊖	Contact position
230424001	B	2	90°	Bright Chrome	43.1	2	OFF	ON	
230414001	A	1	90°	Bright Chrome	41.9	2	OFF	ON	
230412001	A	1	90°	Bright Chrome	35.7	2	OFF	ON	